

PRODUCT TECHNICAL SHEET

Collection : **FUN**

Ref. : **4031.11.74**

Thermostatique à encastrer

Inbouw thermostaat

Concealed thermostatic

Picture

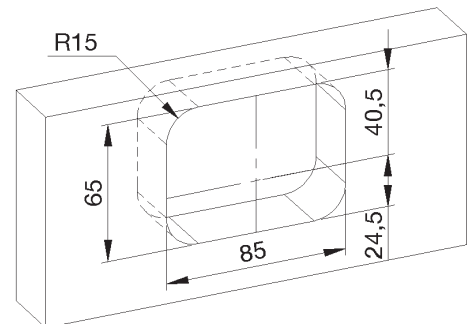
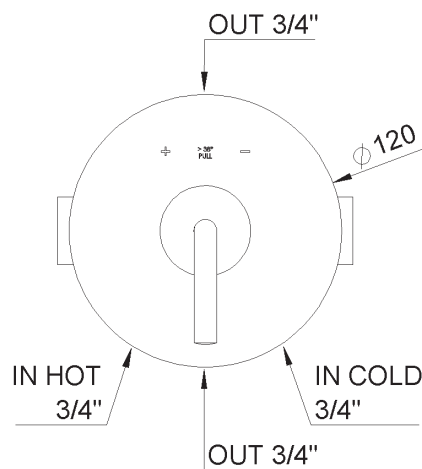
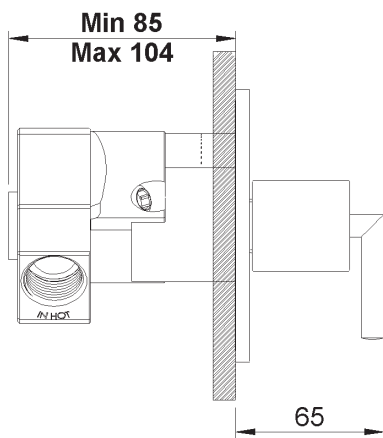
Product details



Flow at 3 bar : 32 l/min

T° mechanism : Thermostatic wax cartridge

Technical drawing



RA1.V01